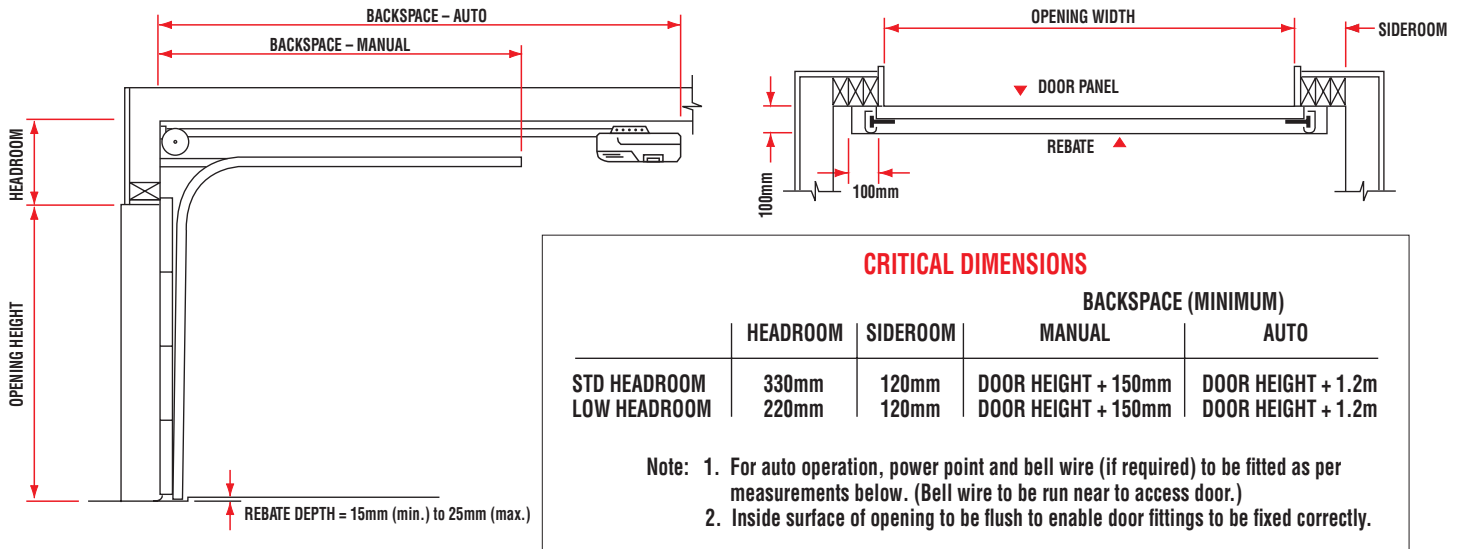


# SECTIONAL DOOR FRAMING INSTRUCTIONS

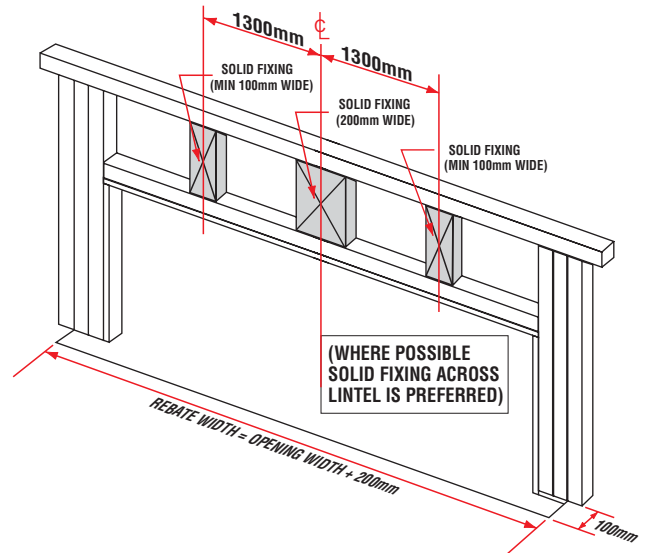
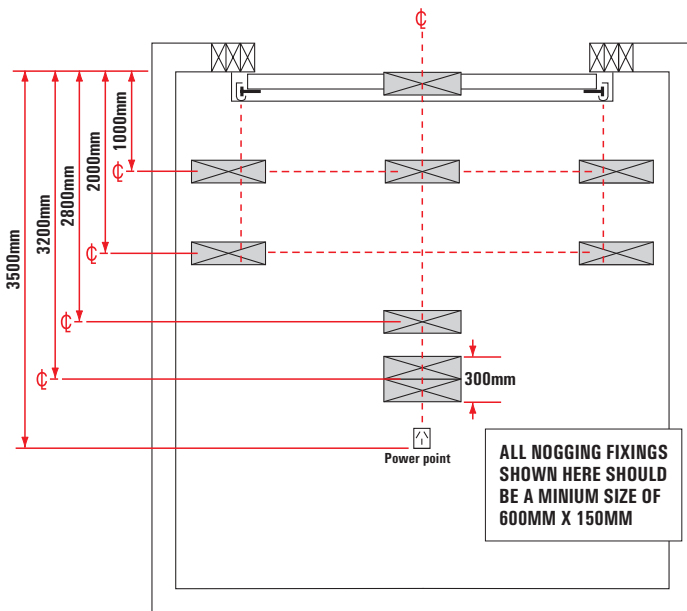
**DOMINATOR**<sup>®</sup>

FOR SECTIONAL DOORS UP TO 2.30M HIGH

**Note:** With ongoing product developments, the manufacturer retains the right to change products & specifications without notification. If a specification is critical to the end use, please discuss with your Local Dealer first. Illustrations are not accurate representations of product, and are for illustrative purposes only, not to scale. All measurements should be made by your Local Dealer for clarification.



## NOGGING DETAIL FOR SECTIONAL UP TO 2.3M HIGH (TRACK AND MOTOR FIXINGS)



**Note:** The details shown are for 2.30m Maximum Height Sectional Door with Standard 330mm Headroom. Also for Intermediate Headroom of 220mm with springing to front.

Contact:

**DOMINATOR**<sup>®</sup>

[www.dominator.co.nz](http://www.dominator.co.nz)

0800 DOMINATOR (366 462)

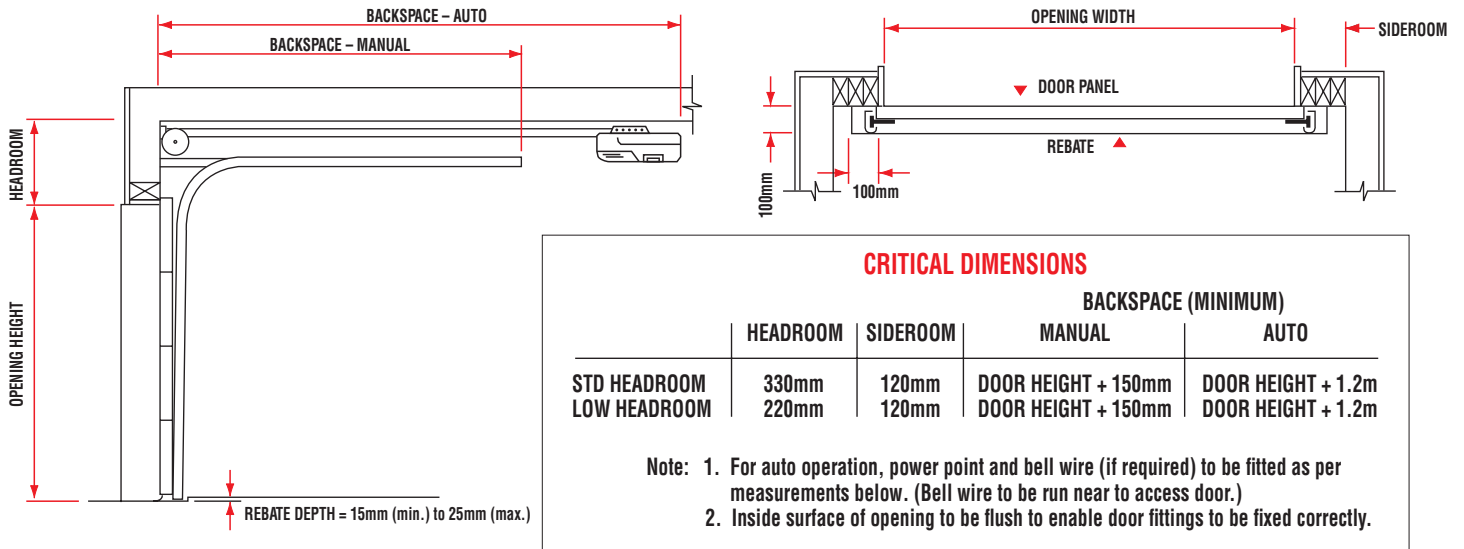
© Copyright 2020

# SECTIONAL DOOR FRAMING INSTRUCTIONS

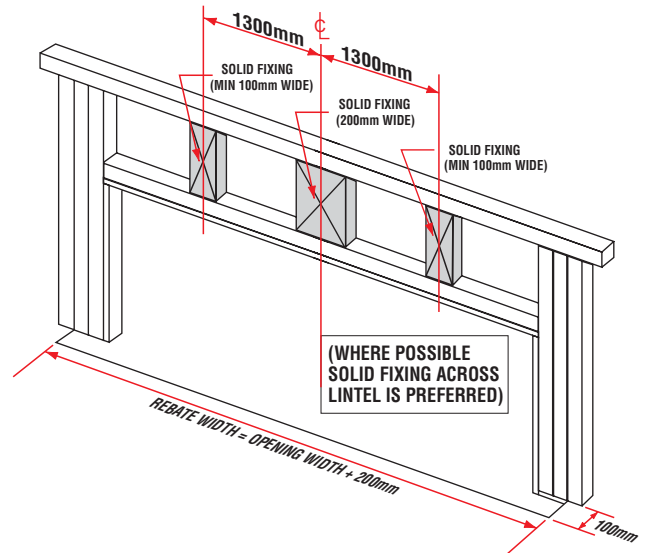
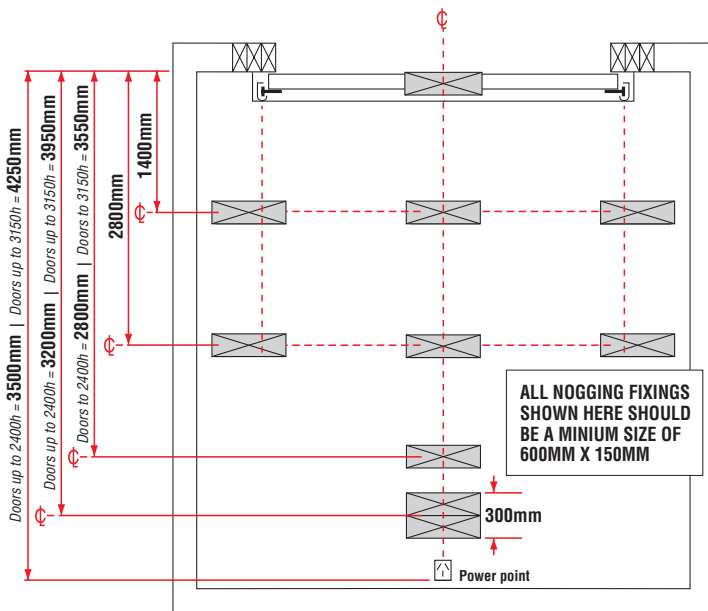
**DOMINATOR**<sup>®</sup>

FOR SECTIONAL DOORS 2.31M TO 3.15M HIGH

**Note:** With ongoing product developments, the manufacturer retains the right to change products & specifications without notification. If a specification is critical to the end use, please discuss with your Local Dealer first. Illustrations are not accurate representations of product, and are for illustrative purposes only, not to scale. All measurements should be made by your Local Dealer for clarification.



## NOGGING DETAIL FOR SECTIONAL 2.31 - 3.15M HIGH (TRACK AND MOTOR FIXINGS)



**Note:** The details shown are for 3.15m Maximum Height Sectional Door with Standard 330mm Headroom. Also for Intermediate Headroom of 220mm with springing to front. Measurements for doors over 2.40m high allow for motor with 1x C-Rail extension.

Contact:

**DOMINATOR**<sup>®</sup>

[www.dominator.co.nz](http://www.dominator.co.nz)

0800 DOMINATOR (366 462)

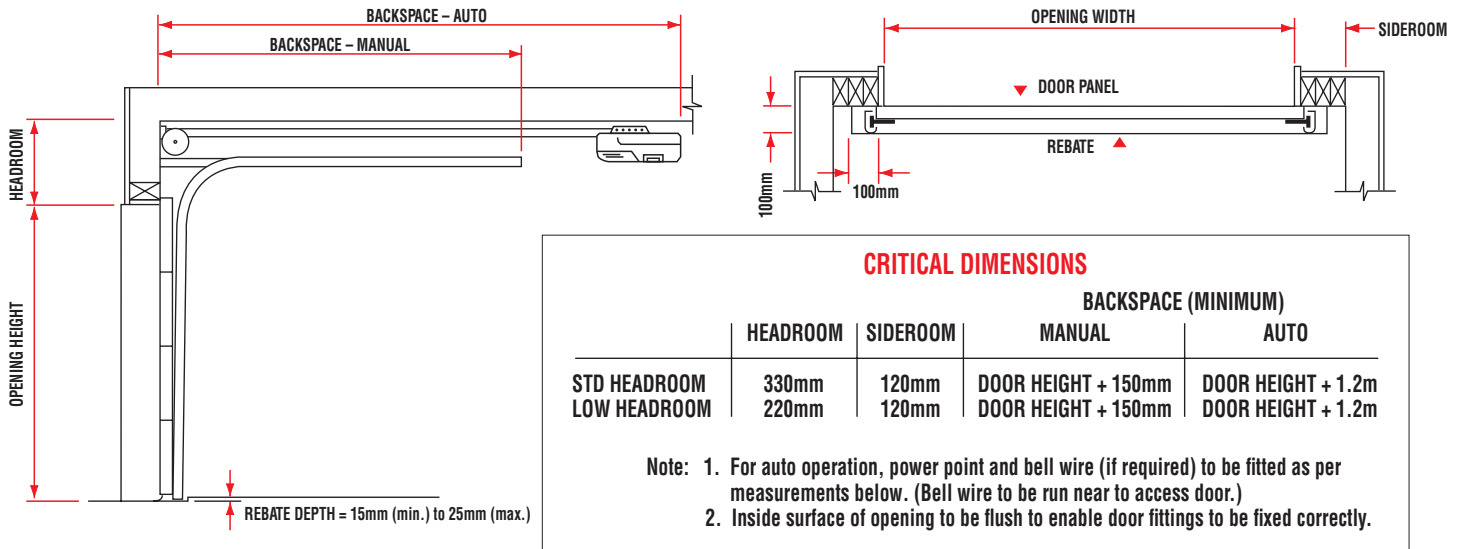
© Copyright 2020

# SECTIONAL DOOR FRAMING INSTRUCTIONS

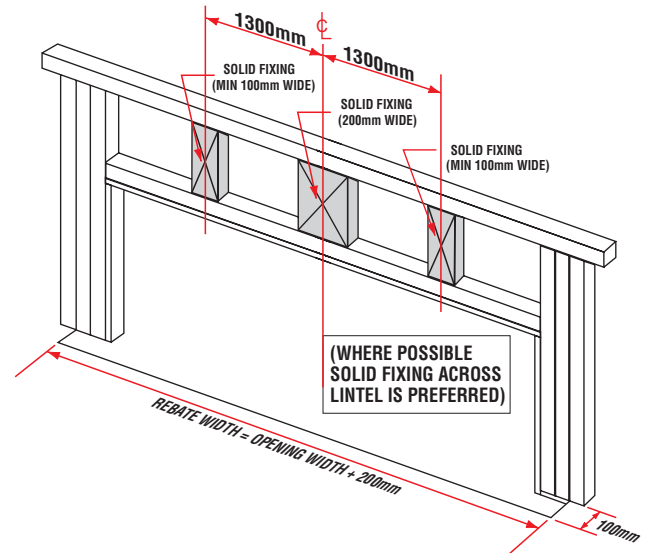
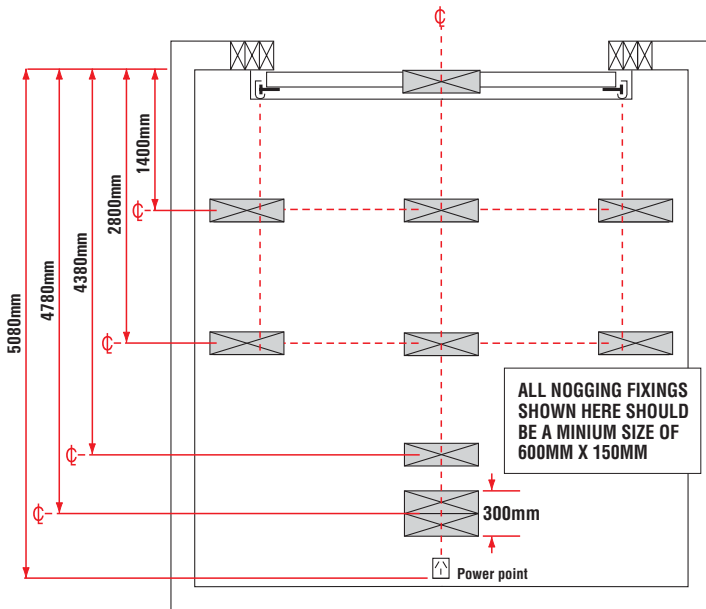
**DOMINATOR**<sup>®</sup>

FOR SECTIONAL DOORS 3.16M TO 3.90M HIGH

**Note:** With ongoing product developments, the manufacturer retains the right to change products & specifications without notification. If a specification is critical to the end use, please discuss with your Local Dealer first. Illustrations are not accurate representations of product, and are for illustrative purposes only, not to scale. All measurements should be made by your Local Dealer for clarification.



## NOGGING DETAIL FOR SECTIONAL 3.16 - 3.90M HIGH (TRACK AND MOTOR FIXINGS)



**Note:** The details shown are for 3.90m Maximum Height Sectional Door with Standard 330mm Headroom. Also for Intermediate Headroom of 220mm with springing to front. Measurements allow for motor with 2x C-Rail extensions.

Contact:

**DOMINATOR**<sup>®</sup>

[www.dominator.co.nz](http://www.dominator.co.nz)

0800 DOMINATOR (366 462)